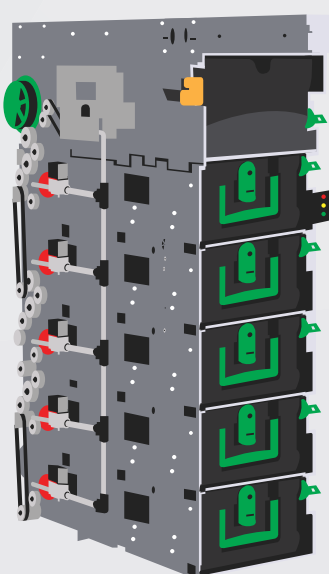


NCR Media handling 2.0

A highly configurable ATM module set that helps future proof your estate. Invest today and get ready for tomorrow. Media Handling 2.0 provides the widest range of deposit, dispense and recycling options in the industry, many of which are unique to the NCR SelfServ ATM Family.



Cash Out S2 Media Dispense Module

Dispense capacity:
Up to 60 notes

Cassette capacity:
Up to 2,500 notes per cassette

Configuration:
4 high or 5 high as cash dispense or dual dispense multi-function



Industry leading cash capacity of up to 25,000 notes as a dual dispense ATM



An improvement of 10% in ATM reliability seen with NCR SelfServ vs. NCR Personas for some customers



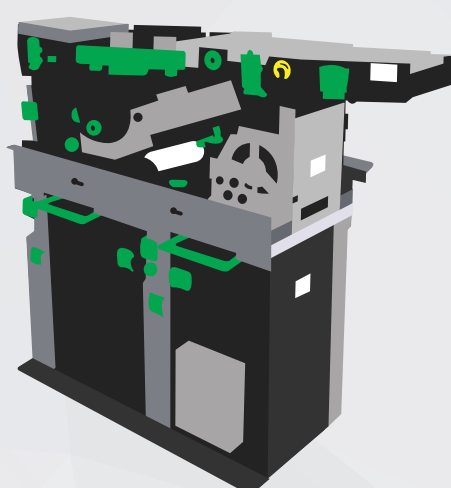
Improved uptime in excess of 99.3% witness from some customers using new SelfServ ATM Family



Up to 20% reduction in stocking costs for dispenser parts. A dispense module featuring 7 key every unit item field replaceable units



Examples seen of above a 40% reduction in service related incidents on newer SelfServ ATMs than on ageing ATMs



Cash/Check In/Out Scalable Deposit Module

Deposit capacity:
Up to 100 items

Cassette capacity:
Cash - Up to 4,000 notes (combined) + Small check bin 400

Or

Cash - Up to 2,000 notes + 2,000 checks



4,000 note capacity is industry leading and extends intervals between replenishment



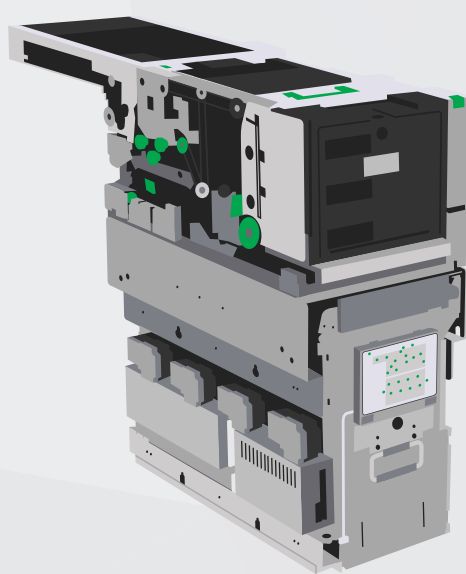
SDM2 enables print and return of checks – taking the cost of storing and disposing of checks away from the FI



30% performance improvement over SDM1 – improved handling of poor quality media



New bill validator future proofed for new security features on currency. Improved processing of new note substrates



Cash Recycling/Deposit Global Bunch Recycling Unit Global Bunch Note Acceptor

Deposit capacity:
Up to 200 items

Deposit cassette capacity:
Up to 2,300 notes

Recycle cassette capacity:
Up to 2,000 notes

Configuration:
3R+1D or 2R+2D (cash in/out)



Improved serviceability



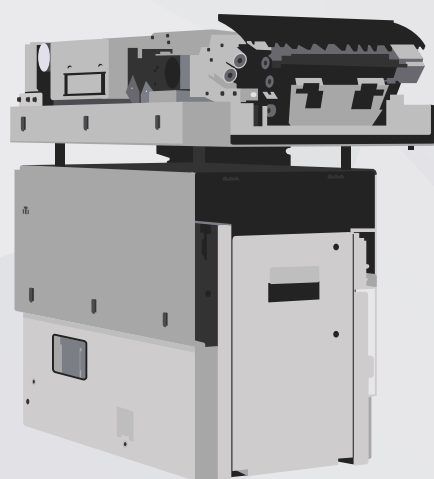
Hardware performance improvements between 150% & 300%



Up to 50% jam reduction



Flexible configuration – note acceptor or recycler



Cash Recycling Bunch Recycling Module

Deposit capacity:
Up to 300 notes

Cassette capacity:
Up to 2,700 notes

Configuration:
4 recycling + 1 deposit (2,300 notes)



Up to 2x improvement in reliability vs other cash recycling solutions



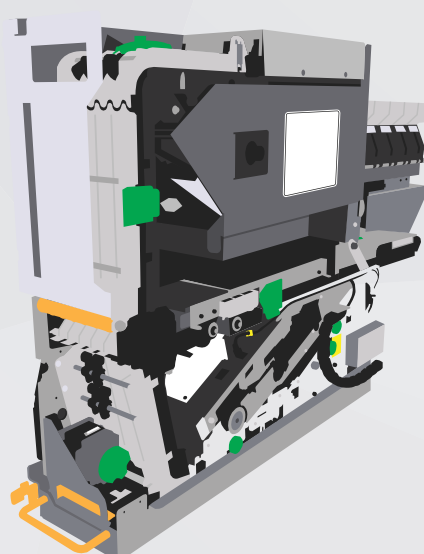
Convenient pocket interface for depositing notes



Large bunch note capacity up to 300 notes



Pocket camera and sensors for foreign object detect



Check In Scalable Check Processing Module

Deposit capacity:
Up to 30 checks

Cassette capacity:
Up to 1,000 checks

Configuration:
1 bin + 1 exception bin (1,030 notes)



Checks stored outside the safe for easy replenishment



Configurable for single or multi check functionality



Enables check deposit along with recycling on multi-function ATMs